

Holder Type A (A702)

## **PARTS CATALOG**

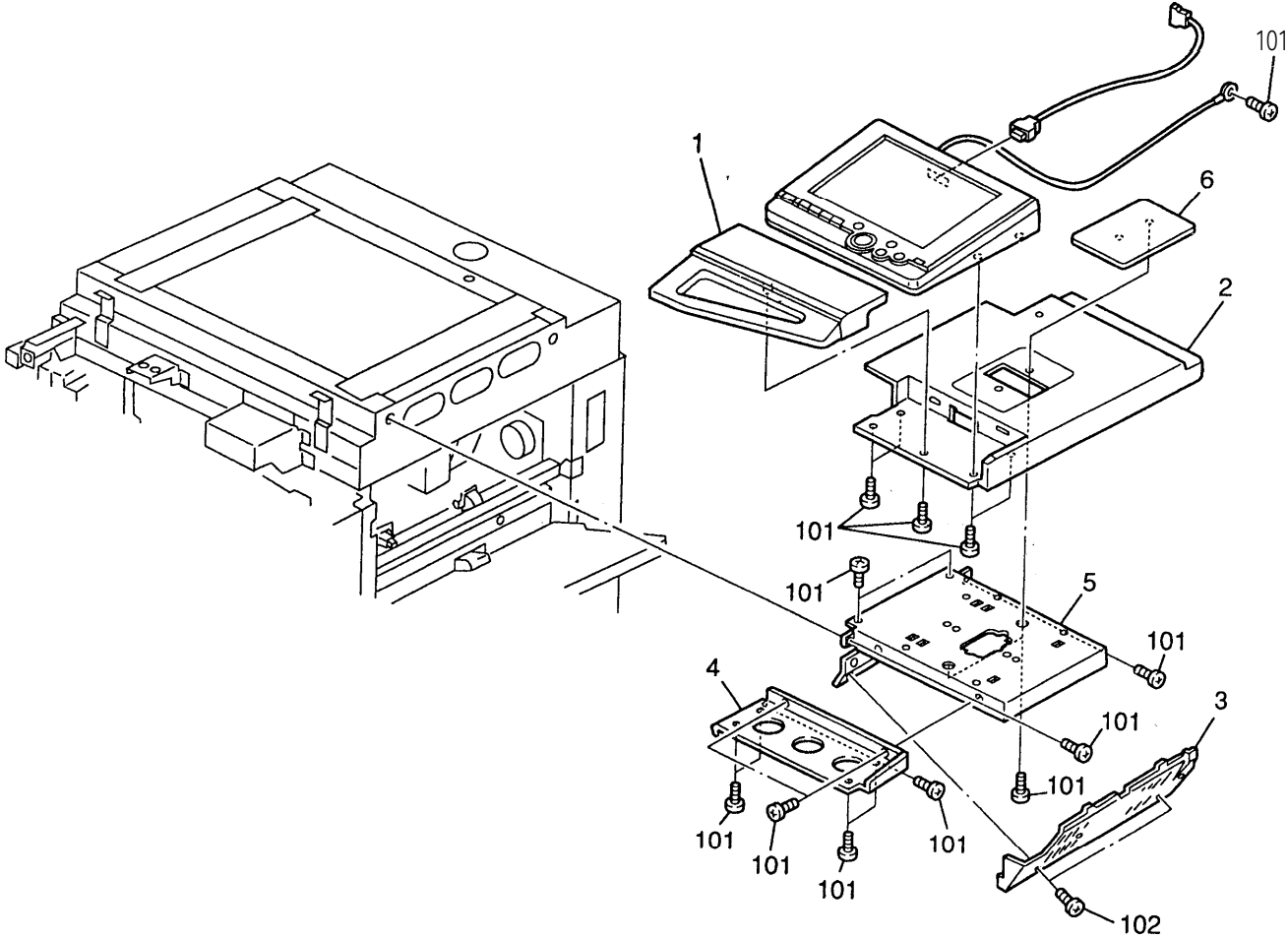
### **INTRODUCTION**

This chapter instructs you the numbers and names of parts on this machine.

### **INDEX to PARTS CATALOG**

1.Holder Type A (A702) .....	2
<b>Parts Index.....</b>	<b>5</b>

# 1. HOLDER TYPE A (A702)



### 1. Holder Type A (A702)

Index No.	Part No.	Description	Q'ty Per Assembly
1	A702 1331	Front Cover	1
2	A702 1311	Holder Cover	1
3	A702 1320	Lower Cover	1
4	A702 1115	Editor Bracket	1
5	A702 1111	Holder Base Bracket	1
6	A702 1312	Cover Plate	1

Index No.	Part No.	Description	Q'ty Per Assembly
101	0344 0060F	Philips Truss Head Screw - M4x6	
102	0314 0060B	Philips Pan Head Screw - M4x6	

# **PARTS INDEX**

Part No.	Description	Page and Index No.
A702 1111	Holder Base Bracket	3- 5
A702 1115	Editor Bracket	3- 4
A702 1311	Holder Cover	3- 2
A702 1312	Cover Plate	3- 6
A702 1320	Lower Cover	3- 3
A702 1331	Front Cover	3- 1

Part No.	Description	Page and Index No.
0314 0060B	Philips Pan Head Screw - M4x6	3-102
0344 0060F	Philips Truss Head Screw - M4x6	3-101